

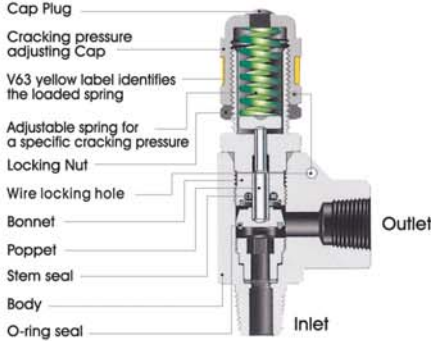
V63/V66 Series Relief Valves

Working pressure 3000 psig (206 bar) and 6000 psig (413 bar)

Catalog No. V63/V66-5
Jan.2007

V63 Series for working pressure 3000 psig (206 bar)

Technical Data



V63 Series Technical Data

- Maximum working pressure: 3000 psig (206 bar)
- Cracking pressure range: 10 to 250 psig (0.68 to 17.2 bar)

Table 1. V63 Series Spring Designator

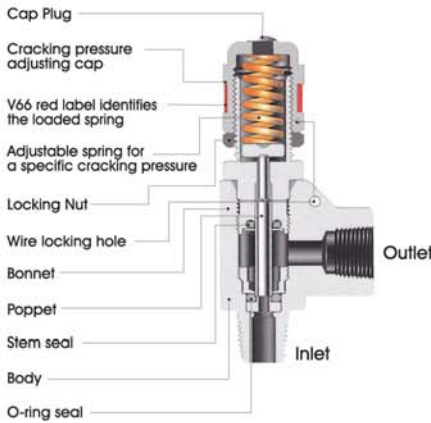
Spring Designator	Cracking Pressure		Color Code
	psig	bar	
RVS-L	10 to 250	0.68 to 17.2	Red

- Orifice: 4.8 mm (0.19 in.)
- Cv = 0.60

V66 Series for working pressure 6000 psig (413 bar)

V63/66 Series Temperature Rating

Seal Material	Temperature Rating °C (°F)
Viton (Standard)	-28 ~ 204 (-18 ~ 400)
Buna N	-20 ~ 105 (-4 ~ 221)
Ethylene Propylene (EPDM)	-45 ~ 135 (-49 ~ 275)



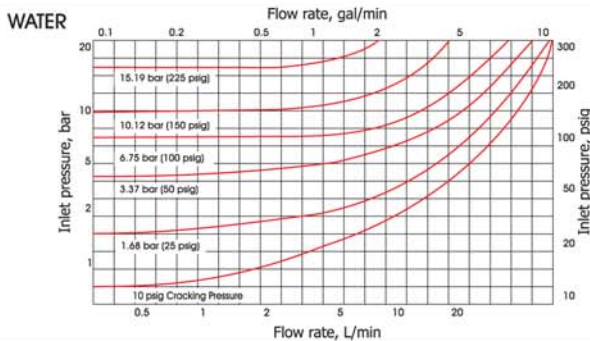
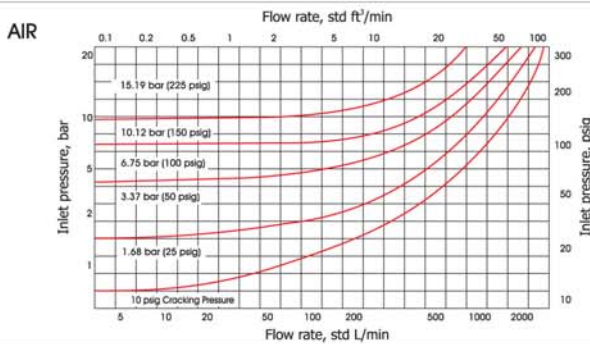
V66 Series Technical Data

- Maximum working pressure : 6000psig (413bar)
- Orifice size: 4.8 mm (0.19 in.)
- Cv = 0.41
- Cracking pressure range : 50 to 6000psig (3.4 to 413bar)

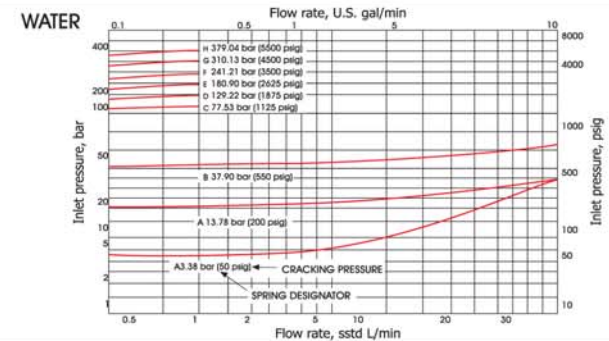
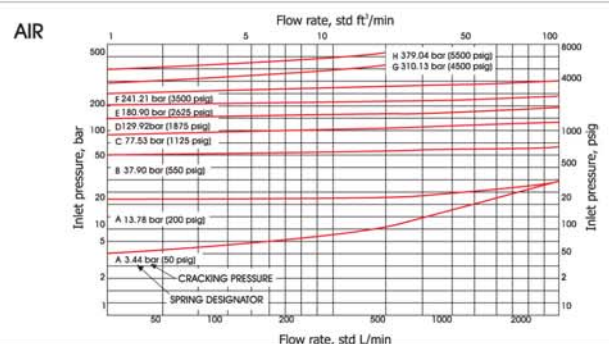
Table 2. V66 Series Spring Designator

Spring Designator	Cracking Pressure		Color Code	Spring Designator	Cracking Pressure		Color Code
	psig	bar			psig	bar	
RVS-A	50 to 350	3.4 to 24	White	RVS-E	2250 to 3000	155 to 206	Green
RVS-B	350 to 750	24 to 51.6	Blue	RVS-F	3000 to 4000	206 to 275	Yellow
RVS-C	750 to 1500	51.6 to 103	Clear	RVS-G	4000 to 5000	275 to 344	Brown
RVS-D	1500 to 2250	103 to 155	Black	RVS-H	5000 to 6000	344 to 413	Orange

V63 Series Flow Rate



V66 Series Flow Rate



Factory Test

- Every valve is factory tested for cracking and reseal performance.

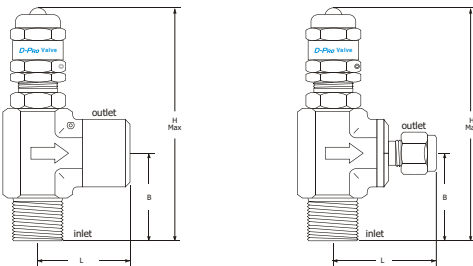
How To Adjust Valve Cracking Pressure

The valve user shall set a specific cracking pressure of the valve supplied.

- To increase the cracking pressure of the valve, turn the adjusting cap clockwise to compress the spring.
- To reduce the pressure, turn counterclockwise.
- Start the pump with the spring relaxed (eight threads showing with the Locking Nut at bottom), with the discharging port open, check the gauge pressure as you turn the adjusting cap clockwise to increase the pressure to the desired operating range.
- If the system has more than one outlet, set the valve pressure with one outlet open, and then check again with all outlets open to make sure that the set pressure is within the desired operating range.
- Set the Locking Nut and the wire to maintain the set cracking pressure.

Operation

- Install the valve between the pump outlet as close as possible, and any shut-off device in the discharge line. The preferable mounting position is vertical with the adjusting cap at the top.
- D-Pro relief valve bypasses the system fluid to prevent instrument or sensitive gauge in the system from excess pressure.
- When the inlet pressure overcomes the set spring pressure on the poppet, the poppet lifts off the valve seat, allowing flow to bypass and thereby balance the system pressure.
- If the valve has not been actuated for a long time, it may initially crack above the set cracking pressure.
- Cracking pressure is only sensitive to inlet pressure, and is not affected by outlet pressure.
- Cv reduction: Valve flow may be reduced by the restriction of pipe and tubing connected.



Materials of Construction

Cap Plug	Polypropylene
Adjusting Cap	S316/ ASTM A276, A479
Spring	17-7 PH SS/ AMS 5678 D
Locking Nut	
Bonnet	S316/ ASTM A479, A276
Poppet	
Stem & O-ring seal	Standard Viton*, optional EPDM and Buna N
Body	F316/ ASTM A182

*Viton: TM of DUPONT

Ordering Information and Table of Dimensions

Basic Ordering Number	End Connections		Orifice mm (in.)	Dimensions mm (in.)				
	Inlet	Outlet		H	B	L		
V63-	D-4T-	1/4 Dk-Lok		4.8 (0.19)	100 (3.93)	37 (1.45)	39 (1.53)	
	D-6M-	6 mm Dk-Lok				38 (1.49)	40 (1.57)	
	D-8M-	8 mm Dk-Lok			105 (4.13)	44 (1.73)	42 (1.65)	
	D-8T-	1/2 Dk-Lok				98 (3.85)	36 (1.41)	42 (1.65)
	D-12M-	12 mm Dk-Lok					94 (3.70)	32 (1.25)
V66-	MD-8N8T-	1/2 Male NPT	1/2 Dk-Lok	98 (3.85)	36 (1.41)	42 (1.65)		
	MD-8N12M-	1/2 Male NPT	12 mm Dk-Lok			30 (1.18)	35 (1.37)	
	MF-4N-	1/4 Male NPT	1/4 Female NPT		94 (3.70)		32 (1.25)	30 (1.18)
	MF-4R-	1/4 Male ISO 7/1	1/4 Female ISO 7/1					
	MF-6N-	3/8 Male NPT	3/8 Female NPT		98 (3.85)	36 (1.41)	38 (1.49)	
	MF-6R-	3/8 Male ISO 7/1	3/8 Female ISO 7/1					
	MF-8N-	1/2 Male NPT	1/2 Female NPT					
	MF-8R-	1/2 Male ISO 7/1	1/2 Female ISO					



Model Shown: V66-D-8T-B-S

All dimensions shown are for reference only and are subject to change. Dimensions with Dk-Lok nuts are in finger-tight position.

How To Order

Please select the desired valve basic ordering number, the applicable seal, spring designator and CE certified option from the table below.

Example: V66-D-4T- **BN** - **B** - **S** - **CE**

Seal Material Designator	Spring Designator	Body Material	CE certified
<ul style="list-style-type: none"> Nil: Standard "Viton" BN: Buna N EP: EPDM 	Refer to Table 1, Table 2 for spring designator	<ul style="list-style-type: none"> S: S316 Ti: Titanium 	<ul style="list-style-type: none"> CE: valve to 97/23/EC

Factory pressure set valve

To order, specify the set pressure on the valve ordering number. Example: V66-D-4T-60 bar-S, or V66-D-4T-870 psi-S

Factory Pressure Set Relief Valve Note: This label is on the adjusting cap

Valve without spring installed

To order, do not specify spring designator on the ordering number. Example: V66-D-4T-S.

CAUTION: NO SPRING INSTALLED Note: This label is on the adjusting cap

Spring for field assembly

To order, select an applicable spring from the spring designator table 1 & 2. Example: RVS-A

Safe Valve Selection

The selection of a valve for any application or system design must be considered to ensure safe performance. Valve function, valve rating, material compatibility, proper installation, operation and maintenance remain the sole responsibility of the system designer and the user. Dk Tech accepts no liability for any improper selection, installation, operation or maintenance.



DK TECH Trademarks

D-Pro Valves **Dk-Lok** Tube fittings **Green** Pipe & Weld fittings

Mailing Address
826, Naesam-Ri, Juchon-Myeon, Gimhae-City,
Gyeong Nam, Korea 621-841

DK TECH contact information
Tel. (82) 55-338-0114
Fax. (82) 55-338-6745
E-mail: sales@dklok.com

For International customers
Tel. (82) 55-338-0031/2
Fax. (82) 55-338-6746
E-mail: dklok@dklok.com